

Metal Channel Size #3

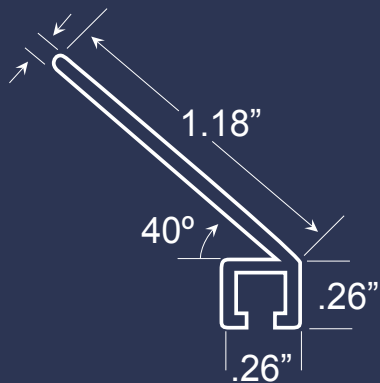
Precision Brush Company, Inc.
1-800-252-4747



B30



C30



D30



E30