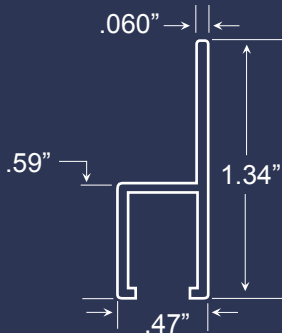
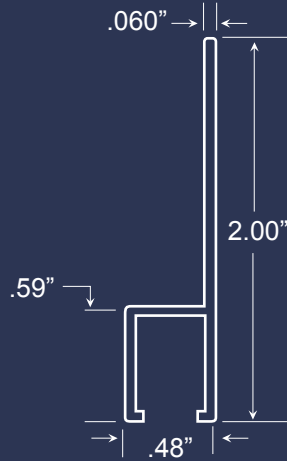


Metal Channel Size #8

Precision Brush Company, Inc.
1-800-252-4747



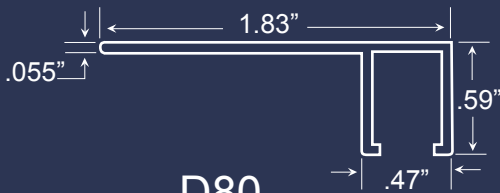
A80



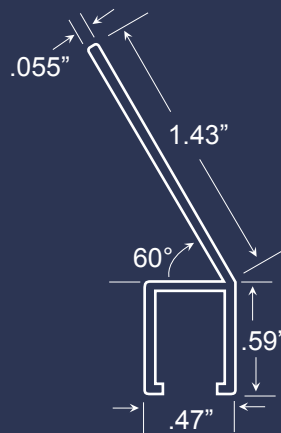
B80



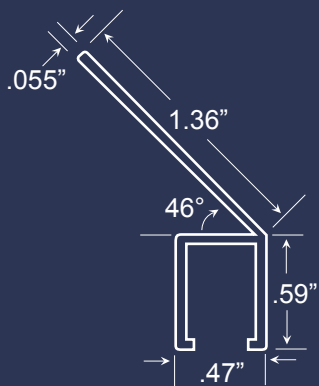
C80



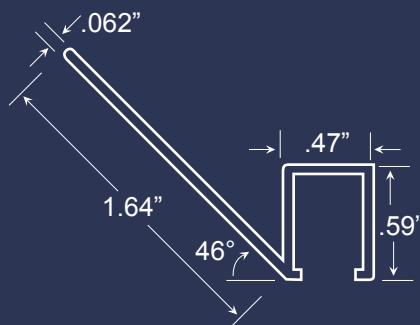
D80



F80



G80



H80