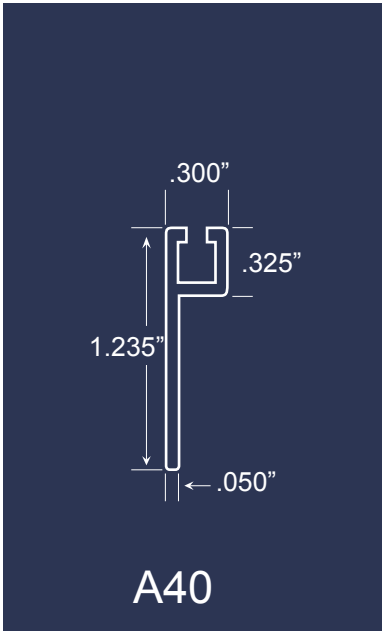
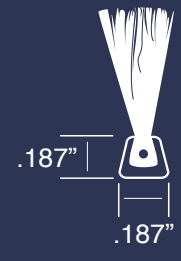
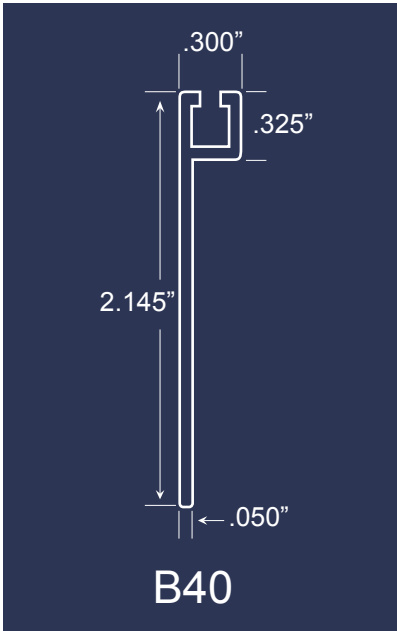


Metal Channel Size #4

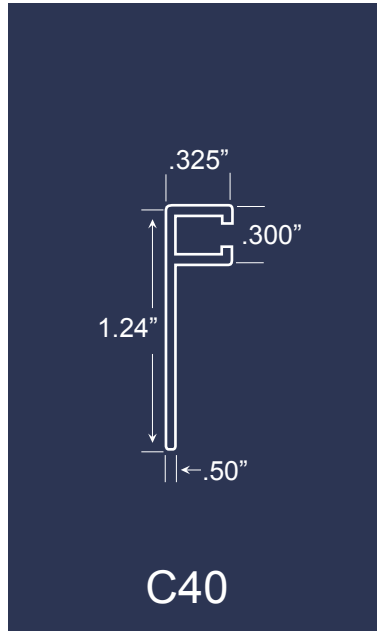
Precision Brush Company, Inc.
1-800-252-4747



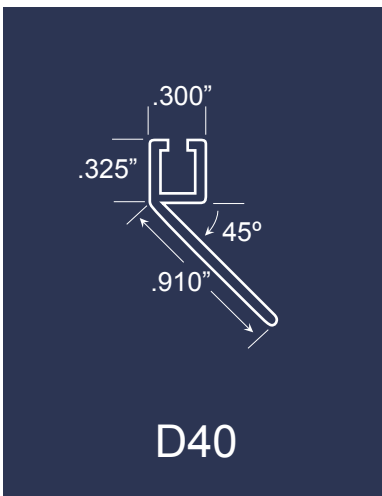
A40



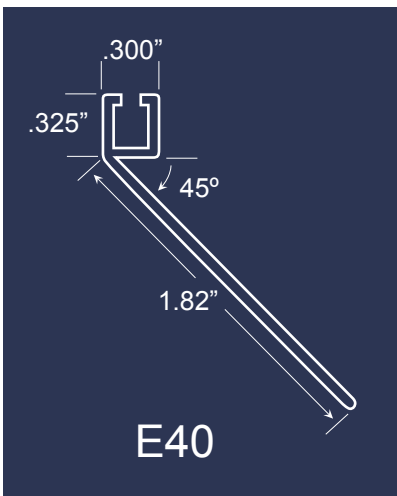
B40



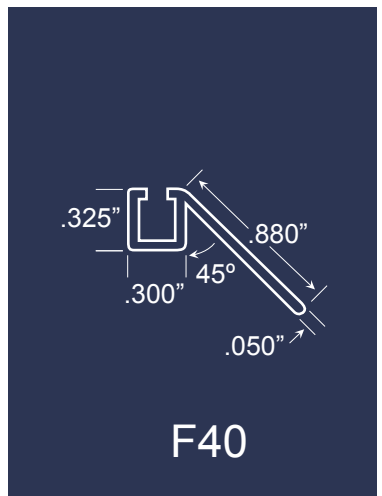
C40



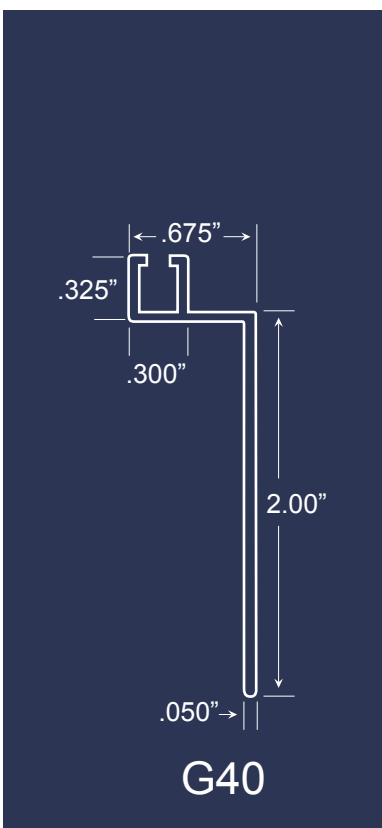
D40



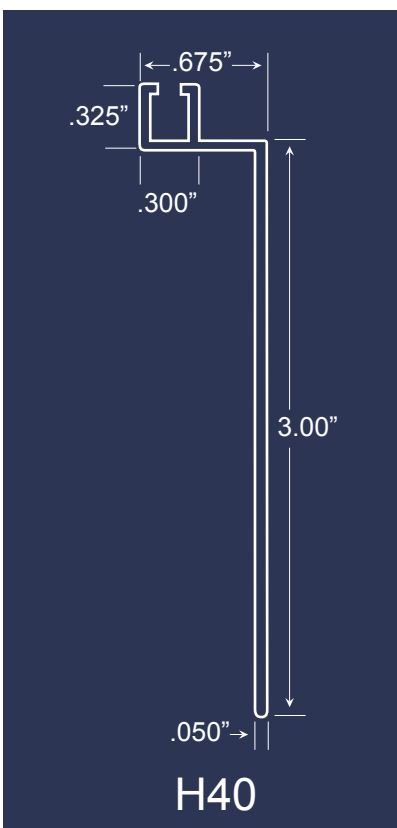
E40



F40



G40



H40